



NOISE AND VIBRATION CONTROL SYSTEMS

High noise levels pose health hazards. Prolonged exposure can lead to a permanent loss of hearing, High vibration levels can result in objectional noise as well as structural damage to the building. With good reasons, environment health regulations are becoming more stringent.

JA Redden supplies acoustic attenuators with accordance to specific requirements from acoustical consultants and engineers. Our range of cylindrical acoustic attenuators (rectangular attenuators can also be customized, upon request) provide effective and economical solution to complement its range of fans.

ACOUSTIC ATTENUATOR FOR VENTILATION FANS CYLINDRICAL SILENCERS

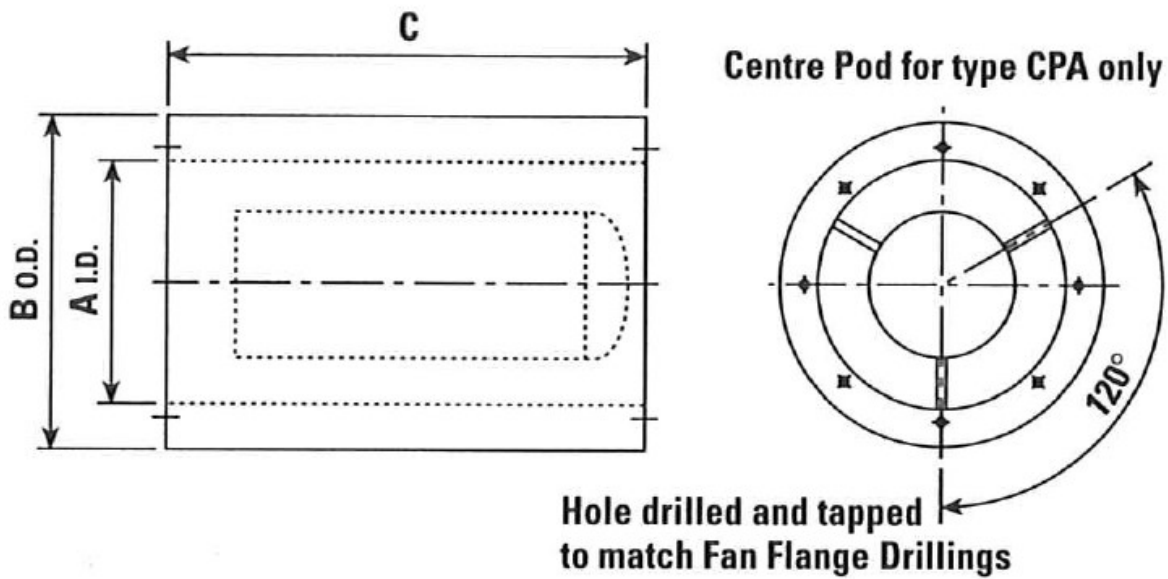
Fan sound levels can often be reduced to required criteria by fitting of acoustic attenuators, these silencers are for use in all air movement applications and especially for both “on fan” and “in duct” application.

Two types are available – CA which is a “straight through” design and CPA – which is with additional concentric pod for higher noise attenuation.

Standard short length silencers are coded CA-1D and CPA-1D. Double length silencers, CA-2D and CPA-2D, give increased attenuation at all frequencies or for low air velocities. Both types are available in a wide range of sizes and flanged for direct attachment with our ventilation fans.



DIMENSION



FAN SIZE	A I.D.	B O.D.	NO. OF HOLES	P.C.D.	THREAD SIZE	C LENGTH		WEIGHT			
						1D	2D	CA-1D	CA-2D	CPA-1D	CPA-2D
mm	mm	mm				mm	mm	kg	kg	kg	kg
250	240	390	4	280	M10	250	500	8	13	-	-
315	280	430	4	320	M10	315	630	9	15	12	17
355	355	505	8	395	M10	355	710	12	20	15	24
400	400	550	8	450	M12	400	800	16	27	19	31
450	450	600	8	500	M12	450	900	21	35	25	41
500	500	650	12	560	M12	500	1000	26	43	30	50
560	560	710	12	620	M12	560	1120	30	50	35	58
630	630	780	12	690	M12	630	1260	36	63	43	74
710	710	860	16	770	M12	710	1420	44	76	53	90
800	800	1000	16	860	M12	800	1600	55	96	66	116
900	900	1100	16	970	M15	900	1800	70	129	84	150
1000	1000	1200	16	1070	M15	1000	2000	82	157	100	182
1250	1250	1450	20	1320	M15	1250	2540	127	266	147	306
1400	1400	1600	20	1470	M15	1400	2902	199	399	220	453
1600	1600	1800	24	1680	M19	1600	3302	311	637	362	739

JA Redden Pte Ltd

Company Reg. / GST No.: 201937397Z

1 Paya Lebar Link

#04-01 Paya Lebar Quarter 1

Singapore 408533

Tel : +65 6451 6168

Email : admin@jareden.com.sg

Website : www.jareden.com.sg